

IONIZING BLOWING NOZZLE

TIS PC

Ionizing Blowing Nozzle TIS PC

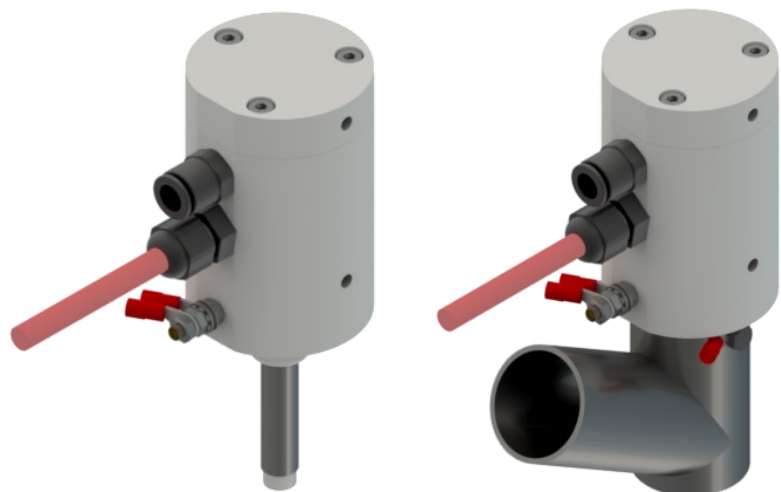
This new type of ELCOWA equipment is unique in its kind. This new ionizing head with a tubular tip (patented system) allows air to pass through its centre, which allows access to containers with small diameter necks because the external dimension of the ionizing element is 10mm.

The ionizing tip is positioned at the bottom of the vial, the neutralization of electrostatic charges is immediate. The compressed air injected by the ionizing tip expels the dust from the inside of the vial. A suction tube, offered as an option and made to measure, is used for dust collection and optimum cleaning.

This compact device is particularly effective for the treatment of small parts or containers such as bottles and flasks with small necks.

Example of an application: Dust removal from perfume bottles, lipstick tubes, small plastic parts, etc.

With its ionizing tip and compact fan this appliance allows the user to reach places difficult to access with a conventional blower bar.



- Efficient
- Small size
- Tough
- Renowned reliability
- Custom manufacturing
- Fast delivery

Ionizing Blowing Nozzle

TIS PC

TECHNICAL DATA

Dimensions: Body Ø 50 x 80 mm
Max. length Tip outlet: 160 mm

Characteristics:

- 1 hollow tip blower
- Supplied as standard with 3 meters of high voltage cable (or length to order)
- Pneumatic connection Ø 8mm ext.
- Range = 400 mm at 4.5 bars

Materials:

White natural POM body, stainless steel tip.

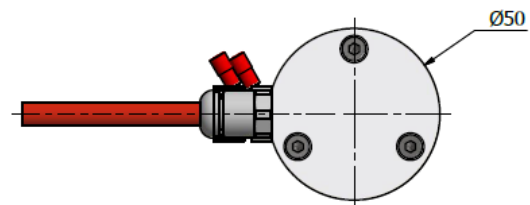
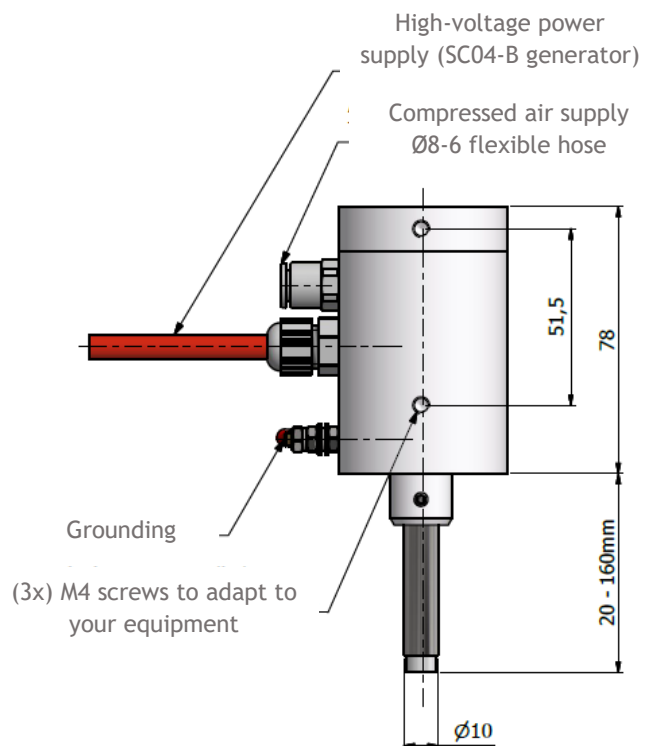
Air consumption:

- 2 Bars = 46 l/min
- 3 Bars = 57 l/min
- 4 Bars = 67 l/min
- 5 Bars = 75 l/min
- 6 Bars = 78 l/min

Options:

- Length of the hollow tip (20-160 mm)
- Suction tube
- Cable length to order

Recommended HV generator: SC04-B
Connection via shielded cable and ELCOWA high-voltage terminal block.
3-meter standard version, extendable to 10-meter option.



Examples:



This equipment must not be used in an inflammable or explosive environment!

The fan head and power unit are to be earthed well so that the appliance operates properly

It is essential to use air without any trace of oil or dampness. 40µm filtering

ELCOWA s.a. 27 Rue de Ruelisheim F-68200 MULHOUSE
+33 (0) 389 573 573
sales@elcowa.com

+33 (0) 389 571 718
www.elcowa.com

